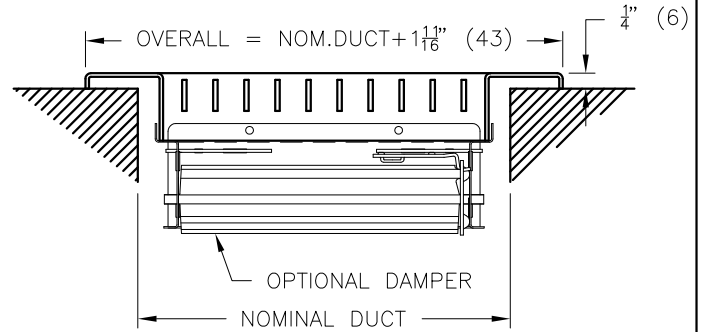
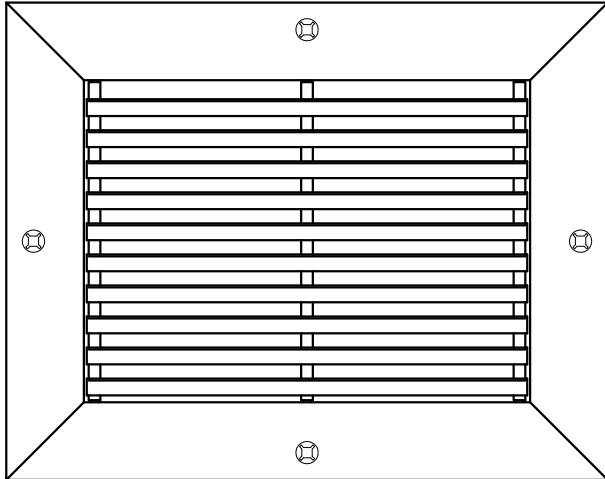
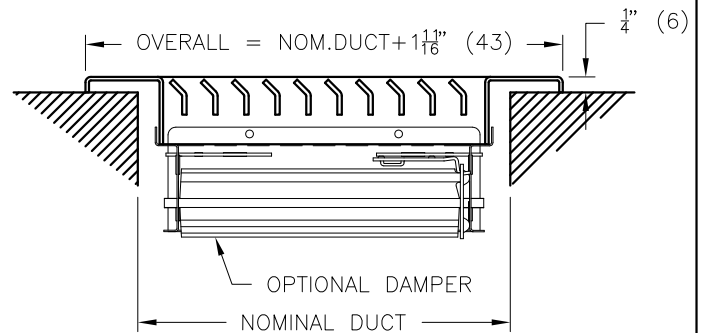


90, 91, 93, 95, 96 STEEL GYMNASIUM GRILLES



0° DEFLECTION MODELS:

- 90 - 3/8" (10) BLADE SPACING
- 95 - 3/4" (19) BLADE SPACING



45° DEFLECTION MODELS:

- 91 - 3/8" (10) BLADE SPACING
- 93 - 1/2" (13) BLADE SPACING
- 96 - 3/4" (19) BLADE SPACING

BLADE ORIENTATION:

- L - BLADES PARALLEL TO LONG DIMENSION
- S - BLADES PARALLEL TO SHORT DIMENSION

FINISH:

- B12 - WHITE POWDER COAT (OPTIONAL FINISHES AVAILABLE)

OPTIONAL DAMPER:

- VCS3 - OPPOSED BLADE DAMPER COATED STEEL CONSTRUCTION

MATERIAL:

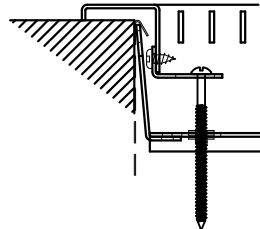
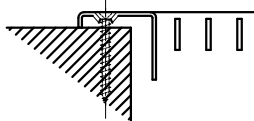
- FRAME - 16 GAUGE STEEL
- BLADES - 14 GAUGE STEEL
- MULLIONS - 20 GAUGE STEEL
- MULLION PINS - 1/8" (3) STEEL

NOTES:

- LOUVER BLADES ARE FIXED
- MIN. SIZE - 6" x 4" (152 x 102)
- MAX. SIZE - 48" x 48" (1219 x 1219)
- OVERSIZED UNITS AVAILABLE, SUPPLIED WITH DUCT MOUNTING CHANNEL (SEE SUBMITTAL 219729)

FASTENING OPTIONS:

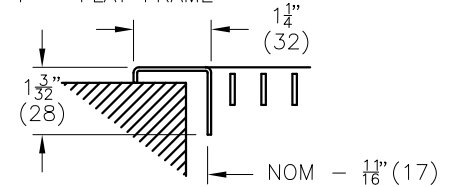
- A - COUNTERSUNK SCREW FASTENING
- C - CONCEALED MOUNTING (N/A TO 91, 93) (MAX 36" [914] WIDTH)



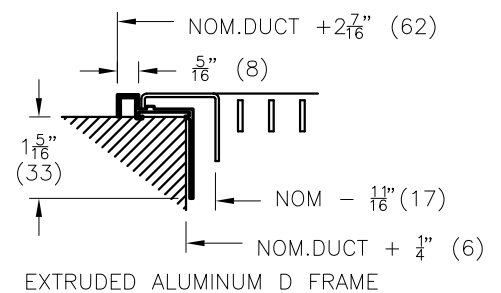
- 0 - FASTENING BY OTHERS

FRAME OPTIONS:

- F - FLAT FRAME



- D - MOUNTING FRAME



ALL METRIC DIMENSIONS () ARE SOFT CONVERTED. IMPERIAL DIMENSIONS ARE CONVERTED TO METRIC AND ROUNDED TO THE NEAREST MILLIMETER.

PROJECT:		PRICE®
ENGINEER:		
CUSTOMER:		222007
SUBMITTAL DATE:	SPEC. SYMBOL:	2014/07/31

90 SERIES
 MODELS 90, 91,
 93, 95 & 96
 STEEL GYMNASIUM
 RETURN AIR GRILLES